

# RIDGEWAY



EXCLUSIVE  
TO SWINDON  
CARAVANS GROUP





## Everything you need to know about **RIDGEWAY**

Bailey of Bristol in partnership with Swindon Caravans Group is delighted to announce the arrival of the all-new Ridgeway, a touring caravan range that offers you the best-possible combination of comfort, practicality and value.

Exclusive to Swindon Caravans Group, the Ridgeway comes with a host of additional features that make your time away in these special caravans as relaxing and enjoyable as possible. Notably these include a Truma 100w solar panel, TRACKER PIR activated intruder alarm, an exterior BBQ point & 230v socket, bespoke soft furnishing & graphics schemes – plus much more, all included as standard specification.



Model shown: Ridgeway 642

Bespoke caravan bedding sets to co-ordinate with caravan soft furnishings available as a cost option

As with all Bailey leisure vehicles, models are built using our patented Alu-Tech construction technology, cloaked in a GRP outer skin, making them more robust, more durable and yet lighter than those manufactured using conventional methods to offer greater protection against the elements to keep you comfortable, safe and secure all year round.

Available in a choice of seven different layouts, including one twin axle option, the new Ridgeway truly has something for everyone

Enjoy your holiday your way.

YOUR HOLIDAY  
*your way*

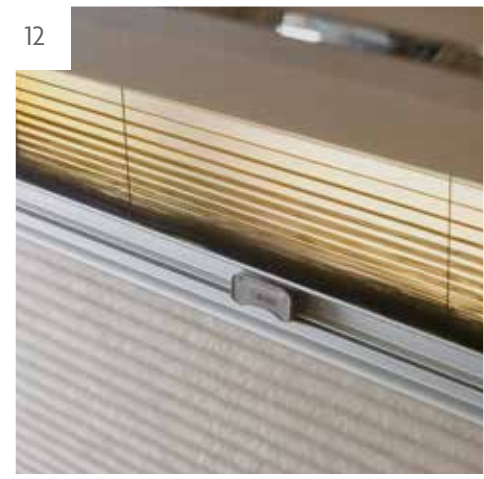


1. Truma gas BBQ point
2. Exterior 230v socket and 230v power inlet for mains hook-up
3. Truma 100 watt solar panel
4. Hartal GRP skin two-part large aperture door with window, waste bin and dustpan & brush
5. Thetford Caprice combined oven, grill and hob with electronic ignition and flame failure device
6. Drop-down kitchen worktop extension

7. TRACKER PIR activated intruder alarm
8. Bespoke Ridgeway entrance door mat
9. Bespoke Ridgeway graphics scheme
10. Bespoke Ridgeway soft furnishings
11. Swan-neck kitchen mixer tap
12. Remis pleated flyscreen and blinds to principal windows

The Ridgeway also includes



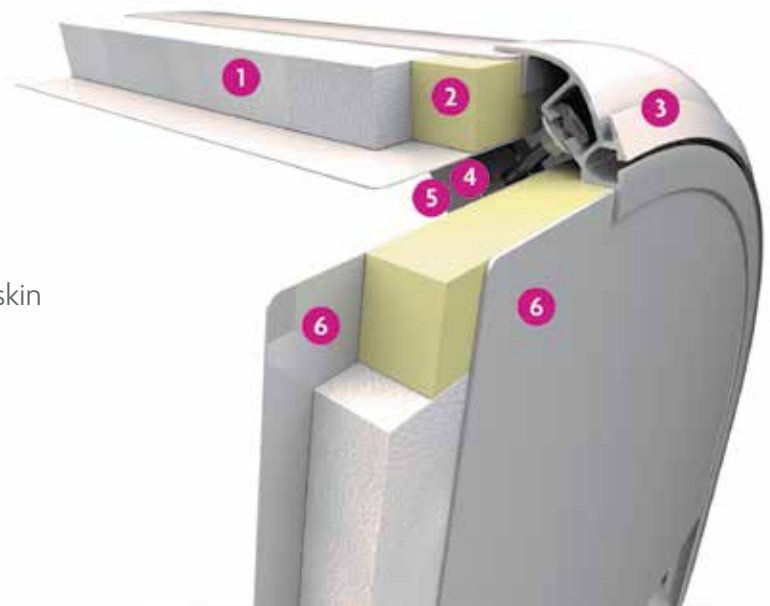


Alu-Tech is Bailey's patented construction system. Using an interlocking aluminium framework to clamp the body panels together, Bailey has created a shell that is much more robust and durable than anything that has come before.

To date, over 50,000 Bailey leisure vehicles have been built with this fully patented technology and are currently being used and enjoyed around the world.



1. Polystyrene core
2. Composite plastic extrusion
3. Alu-Tech rail
4. Structural fixing bracket
5. Alu-Tech rail insulation
6. GRP (glass reinforced plastic) outer and inner skin



## How is Alu-Tech better?

### 1. Increased strength and durability...

giving you greater protection against the elements to keep you comfortable, safe and secure all year round.

### 2. Improved insulation...

keeping you warmer in the winter and cooler in the summer allowing you to holiday whenever and wherever you want.

### 3. Improved protection...

greater resistance to the elements increases the longevity of the vehicle and provides additional peace of mind to the owner.

### 4. Lighter bodyshell...

making Bailey caravans accessible to a wider range of tow vehicles and making it more economical to own.

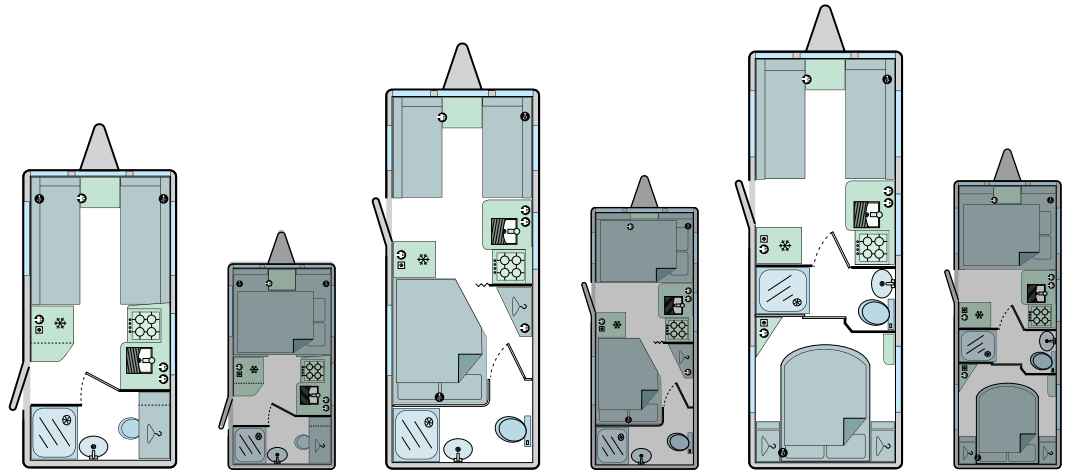
### 5. Better balanced bodyshell...

makes the caravan inherently more stable enabling it to take even the most demanding journeys in its stride.

### 6. Cost neutral improvements...

all of the benefits of Alu-Tech come at no extra cost to the customer.

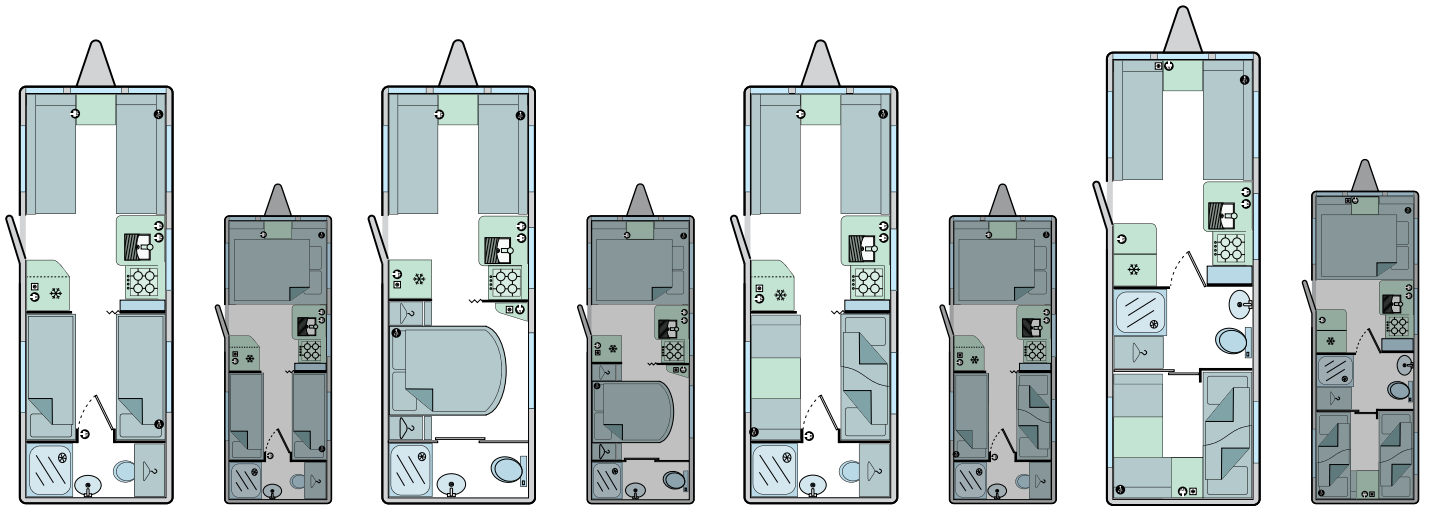
# RIDGEWAY



	420	440	640
Berths	2	4	4
Internal Length	4.032m / 13'2"	5.351m / 17'7"	5.841m / 19'2"
Shipping Length	5.564m / 18'3"	6.882m / 22'7"	7.369m / 24'2"
Overall Width	2.212m / 7'3"	2.212m / 7'3"	2.212m / 7'3"
Overall Height	2.624m / 8'7"	2.624m / 8'7"	2.624m / 8'7"
Internal Headroom	1.960m / 6'5"	1.960m / 6'5"	1.960m / 6'5"
Awning Size	857cm	995cm	1035cm
Tyre Size	185/R14C LI104N	185/R14C LI104N	185/R14C LI104N
MTPLM	1164kg	1340kg	1407kg
MRO	1047kg	1190kg	1252kg
Total User Payload	117kg	150kg	155kg

Bed Sizes			
Front Double	6'2" x 4'9"	6'2" x 3'7"	6'2" x 4'7"
Front N/S Single	6'1" x 2'1"	4'11" x 2'1"	5'11" x 2'1"
Front O/S Single	6'1" x 2'1"	4'11" x 2'1"	5'11" x 2'1"
Rear N/S Single	-	-	-
Rear N/S Overhead Single	-	-	-
Rear N/S Fixed Single	-	-	-
Rear O/S Fixed Bunks	-	-	-
Rear O/S Fixed Single	-	-	-
Rear Fixed Double	-	6'3" x 4'4"	6'2" x 4'6"

A tolerance in the MRO has been allowed for in the calculations of Payload Margins. The awning length measurement shown is to be interpreted as a guide only and an enquiry should be made to individual awning manufacturers as to the correct size.



642	644	650	760 (Twin axle)
4	4	5	6
5.841m / 19'2"	5.841m / 19'2"	5.841m / 19'2"	6.334m / 20'9"
7.369m / 24'2"	7.369m / 24'2"	7.369m / 24'2"	7.863m / 25'10"
2.212m / 7'3"	2.212m / 7'3"	2.212m / 7'3"	2.212m / 7'3"
2.624m / 8'7"	2.624m / 8'7"	2.624m / 8'7"	2.624m / 8'7"
1.960m / 6'5"	1.960m / 6'5"	1.960m / 6'5"	1.960m / 6'5"
1035cm	1035cm	1035cm	1079cm
185/R14C LI104N	185/R14C LI104N	185/R14C LI104N	185/65 R14 LI93N
1406kg	1398kg	1412kg	1630kg
1251kg	1243kg	1247kg	1450kg
155kg	155kg	165kg	180kg
6'2" x 4'7"	6'2" x 4'7"	6'2" x 4'7"	6'2" x 4'9"
5'11" x 2'1"	5'11" x 2'1"	5'11" x 2'1"	6'1" x 2'1"
5'11" x 2'1"	5'11" x 2'1"	5'11" x 2'1"	6'1" x 2'1"
-	-	6'2" x 2'3"	5'10" x 2'3"
-	-	-	5'7" x 2'0"
6'2" x 2'2"	-	-	-
-	-	6'1" x 2'2"	6'1" x 2'2"
6'2" x 2'2"	-	-	-
-	6'2" x 4'6"	-	-

Visit [www.baileيوفbristol.co.uk](http://www.baileيوفbristol.co.uk) for equivalent Phoenix metric bed sizes (bed sizes are measured at the widest point of the bed).



## WELCOME TO THE SWINDON CARAVANS GROUP

We are an award winning touring caravan dealership operating across the Thames Valley area. We have 3 branches in Swindon, Oxford & Reading and have been buying and selling touring caravans for over 30 years. We always try to put our customers first and continually reinvest in our staff, premises and facilities to improve the customer experience. We offer honest advice to help you choose the right caravan to suit your requirements.

We have been rewarded for our efforts. In 2017 we were awarded best supplying dealer of used caravans in the UK at the Practical Caravans Owner Satisfaction Awards, having won the award for new caravans in 2016.

We are passionate about caravans and everything that goes with them. Our workshops undertake all manner of servicing, warranty and repairs and our Aftersales departments are on hand to deal with any questions and issues that may arise.



## Branches

### Swindon Caravan Centre

Greatfield,  
Royal Wootton Bassett,  
Wiltshire  
SN4 8EQ

Tel: 01793 772096

Email: [sales@swindoncaravans.com](mailto:sales@swindoncaravans.com)

Website: [www.swindoncaravansgroup.com](http://www.swindoncaravansgroup.com)

### Oxford Caravan Centre

Oxford Road (A418),  
Tiddington Nr. Thame,  
Oxon  
OX9 2LH

Tel: 01844 339566

Email: [sales@oxfordcaravans.com](mailto:sales@oxfordcaravans.com)

### Reading Caravan Centre

Church Lane,  
Three Mile Cross,  
Reading,  
Berkshire,  
RG7 1HB

Tel: 0118 9888111

Email: [sales@readingcaravans.com](mailto:sales@readingcaravans.com)